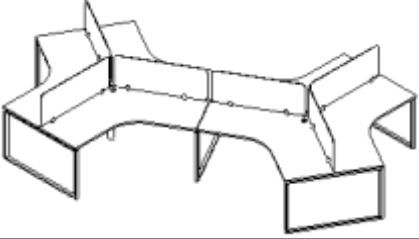


Lair Price List



Item	Pix	Description	List
Worksurfaces only, no Legs. Legs and Stretcher required.			
ELL-T7130G-WT ELL-T7124G-WT ELL-T6630G-WT ELL-T4824G-WT ELL-T4224G-WT ELL-T3624-WT		71x30 w 2 Grommets 71x24 w 2 Grommets 66x30 w 2 Grommets 48x24 w1 Grommet 42x24 w 1 Grommet 36x24 NO Grommet	\$150 \$140 \$140 \$105 \$100 \$90
EL-Flat		2 Flat Brackets and 16 Screws	\$5
Legs Desk Height			
ELL-Leg29H30DTall-S ELL-Leg29H24DTall-S		Lair Metal leg 30 Deep, Tall, Desk Height, Silver Lair Metal leg 24 Deep, Tall, Desk Height, Silver	\$130 \$130
Legs Short Height 8" High			
ELL-Leg8H30DLow-S ELL-Leg8H24DLow-S		Lair Metal leg 30 Deep, LOW Lair Metal Leg 24 Deep LOW	\$90 \$90
Stretcher—Anti Sag required for ALL Tops with Legs Above			
ELL-Bar71-S ELL-Bar66-S ELL-Bar52-S ELL-Bar48-S ELL-Bar42-S ELL-Bar36-S		for 71" wide tops . for 66" wide tops. for Single Pedestal tops. for 48" wide tops for 42" wide tops. for 36" wide tops.	\$110 \$100 \$60 \$90 \$85 \$80
Cabinets and Pedestals - Requires Top or Seat Cushion			
ELL-CAB-BF-DW ELL-CAB-SF-DW ELL-CAB-SS-DW ELL-T3624-WT		Low Cabinet 36W 24D 21H Box Drawer + Lateral Drawer Low Cabinet 36W 24D 21H Open Shelf + Lateral Drawer Low Cabinet 36W 24D 21H 2 Open Shelf, No Drawers Top for Cabinets above.	\$560 \$490 \$300 \$90
ELL-Seat36 BK		"Collaboration" Seat for Low Cabinet . Black Grade B \$310 Grade C \$330	\$180
EL566-DW-W 22"D		Two-Tone B/B/F Pedestal, DW chassis, White Drawer Fronts.	\$345
EL566-29-DW-W NEW 29"D		Two-Tone B/B/F Pedestal 29" Deep , DW chassis, White Drawer Fronts	\$455
EL575-DW-W 22"D		Two-Tone F/F Pedestal, DW chassis, White Drawer Fronts	\$345
ELL-Mod-30-S ELL-Mod-48-S ELL-Mod-72-S		30" Modesty Panel 48" Modesty Panel 71" Modesty Panel	\$100 \$120 \$195
ELL-PSC-52 DW/W		52H x 24W x 24D Personal Storage Cabinet, DW case with White Doors & Fronts.	\$830
ELL-PSC-62-DW/W		62H X 18W X 24 Deep Personal Storage Tower.	\$830

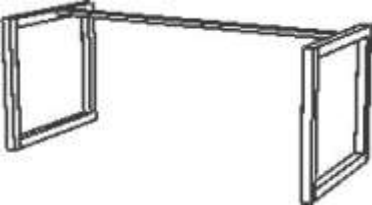
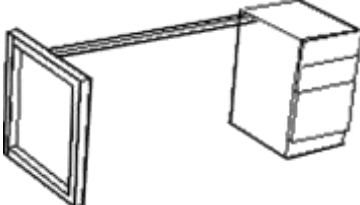
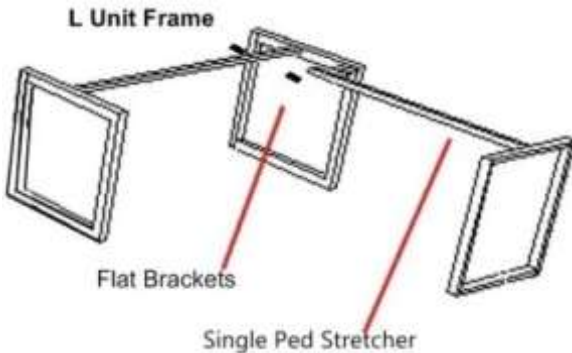
Item	Pix	Description	List
Overhead Storage Cabinets			
ELL-H71-DW ELL-Bar-71-S		71" Open Hutch w/o Doors, Anti-Sag Stiffener Required	\$330 \$110
ELL-H71-Doors-WT ELL-H71-Doors-DW		4 White Doors for 71" Hutch 4 DW Doors for 71" Hutch,	\$120 \$120
ELL-Shelf71-WT		Optional Shelf for H71 Hutch	\$120
ELL-H71-Bar-Shelf		Stretcher bar for 71" wide Shelf , Required	\$60
ELL-H42-DW ELL-H42-Doors-WT		42" Open Hutch w/o Doors, 2 White Doors for 42" Hutch	\$230 \$75
ELL-H36-DW ELL-H36-Doors-WT		36" Open Hutch w/o Doors 2 White Doors for 36" Hutch	\$230 \$75
Legs for Overhead Storage			
ELL-HLegTall-S		Leg for Hutch Tall-Silver 27" High , used ONLY for Multi-Layer stations.	\$95
ELL-HLegMid-S		Leg for Hutch Mid Height-Silver 19" High , used for standard Flush Height stations	\$80
ELL-HLegLow-S		Leg for Hutch Low Height-Silver 8" High Results in 52" high Hutch – Low Hutch	\$65
New Hutch with 1 Sliding Door and Paper Flow			
ELL-HSD71-DW/W		71" Hutch w one door and paper flow.	\$350
ELL-HSDLeg-Mid-S		13.5 Leg Use 2 for Standard Height. 62" from Floor	\$60
ELL-HSDLeg-Tall-S		22" Leg Use 1 each let Ht. for Multi-Layer station.	\$60
ELL-Bar71-S		Required Stretcher Bar	\$110
ELL-Bench-DW		Bench w File Storage 48x18x20H Padded and upholstered in Black Fabric. Grade B \$825 Grade C \$900	\$660
Power Outlets with 9' Cord, will Daisy Chain Requires cutting hole in worksurface. Template Provided			
ECA COV-21GW-108		2 Outlets top 1 Outlet below top White face plate	\$330
ECA COV-22U-S-GW-108		2 Outlets above top 2 USB charger above top 2 Outlets below top White face plate. NEW	\$550

Lair "Dog Bone"					
The drawing below shows TWO 3 person stations, with optional 12" H or 18" H Glass Divider Panels,					
	QTY	Model		List Each	Total List
	2	ELL-120-Leg-4848-S	Leg Frame	\$1200	\$2400
	6	ELL-120-Top-4848-W	Tops	\$300	\$1800
	6	ELD-GF1246	Divider Panels	\$120	\$720
	12	ELD-B-Center Silver	Panel Brackets	\$20	\$240
					\$5,160 for 6 Stations
					Add \$120 for 18" H Divider Panels

ASSEMBLY / SPECIFICATION HELP BELOW









Lair products are modular for maximum flexibility, but require specification of multiple components to make a complete product. Tables consist of a table top, a leg or legs and a stretcher bar for support. Line drawings of common configurations are shown below.

Layout and specification help is available.

 <p>All worksurfaces must have stretcher BAR for support as shown above. Legs are non-directional. Stretcher is in the middle of the leg and attaches to the leg with screws, provided.</p>	 <p>Single Ped Stretcher Bar Attaches to "O" Leg on Left and Screws to Top w self taping screws. May need to be cut to fit with tops less than 71" wide.</p>	 <p>L Unit Frame Flat Brackets Single Ped Stretcher</p>
---	---	--

Complete "KITS"

The "Kits" below include a Complete Table or complete Overhead.

Table Kits "Kits" below include Top + Stretcher + Leg or Legs				Hutch Kits "Kits below include Overhead + Stretcher + Legs			
Item	KIT Model Number	Description	List	Item	KIT Model Number	Description	List
	Kit ELL-T7130 + 2 Legs + Bar	Table 71x30	\$520		Kit ELL-H71 + Mid Legs + Bar 62" overall height	71" W Hutch	\$600
	Kit ELL-T6630 + 2 Legs + Bar	Table 66x30	\$500				
	Kit ELL-T7124 + 2 Legs + Bar	Table 71x24	\$510		Kit ELL-H71 + Low Legs + Bar 52" overall height	71" W Hutch	\$570
	Kit ELL-T4824 + 2 Legs + Bar	Table 48x24	\$455				
	Kit ELL-T4224 + 2 Legs + Bar	Table 42x24	\$450				
	Kit ELL-T3624 + 2 Legs + Bar	Table 36x24	\$430				
	Kit ELL-T7130 + HILO Legs + Bar	Table 71x30	\$480		Kit ELL-H71 + HILO Legs + Bar 62" overall height, use with multi-layer stations	71" W Hutch	\$615
	Kit ELL-T6630 + HILO Legs + Bar	Table 66x30	\$460				
	Kit ELL-T7124 + HILO Legs + Bar	Table 71x24	\$470				
	Kit ELL-T7130 + Single Leg	Table 71x30	\$340		Kit ELL-H36 + Mid Legs + Bar 62" overall height	36" W Hutch	\$470
	Kit ELL-T6630 + Single Leg	Table 66x30	\$330				
	Kit ELL-T7124 + Single Leg	Table 71x24	\$330		Kit ELL-H36 + Low Legs + Bar 52" overall height	36" W Hutch	\$440
	Kit ELL-T4824 + Single Leg	Table 48x24	\$295				
	Kit ELL-T4224 + Single Leg	Table 42x24	\$290				
	Kit ELL-T3624 + Single Leg	Table 36x24	\$280				
Kits above also include a single Ped stretcher							

Lair Benching & Modern Modular Furniture



All Legs are Silver
Worksurfaces are White
Cabinets are Dark Walnut.

DW—Dark Walnut Tops are being added July 2015.



Flush Height

Lair Flush Height Station with **NEW** Personal Storage Tower. 6'x7.5'
\$2840 List Price as shown. Includes 71x24 Top with 47x24 Return.



Multi-Layer

Lair 6x6 Multi-Layer Station
\$2395 List Price as shown.
Low Cabinets are available in 3 styles.
Box/File and Shelf/Shelf are shown above.



Lair Benching & Collaboration Center for 4 persons.
\$3430 List Price as shown.

Includes 4-71x30 worksurfaces and 18" high Frosted Glass Divider Panels. Each worksurface includes 2 Grommets. Optional steel modesty panels include a wire management trough.

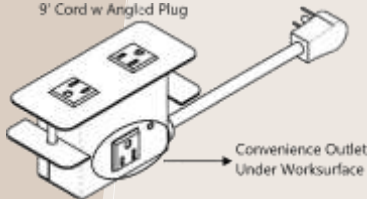


Multi-Layer

Lair 6'x6' station with multiple "Layers" of storage and **NEW** Hutch with built in Paper Flow. \$3125 List Price as shown.

Features **NEW** Single Sliding Door Hutch with built-in Paper Flow on Multi-Layer station and **NEW** Personal Storage Cabinet.

9' Cord w Angled Plug



Convenience Outlet Under Worksurface



110V Power can be added to any Lair workstation.
Requires field cutting of hole for outlets. \$330 List per outlet.



ELL-CAB-BF-DW \$560
Box/File
Add \$90 for 36x24 Top



ELL-CAB-SF-DW \$490
Shelf/File
Add \$90 for 36x24 Top



ELL-CAB-SS-DW \$300
Shelf/Shelf
Add \$90 for 36x24 Top



ELL-Seat36 BK \$180 Black
Optional Padded Collaboration Seat.
Grade B \$310 Grade C \$330



The Lair stations at right show a variety of the many options and capabilities of this versatile product. Benching, L Shapes, U shapes, Glass Divider Panels, Collaboration Seat Cushions, Tall Hutches, Lower Hutches used as space division and multiple Lairs of Worksurfaces.

Lair is the industry's most modestly priced version of this newer style of modular workstations. It is solidly constructed with metal legs and sturdy stretchers.



Lair station above shows our "Low Hutch" with 8" Legs and our matching height Personal Storage Tower. 52" H



Approx. 16'x9'

120 degree stations in "Dog-Bone" configuration.

\$5,100 List Price for 6 Stations.

Only \$850 List Price per person.

Includes 12" Frosted Glass Divider Panels shown.

Model numbers on following pages.

Measurements of a 3 person pod shown below.

Divider Panels compliment the Lair system. They provide privacy just where you need it, simply and economically. Divider Panels are available in Frosted Glass. 12" and 18" high.

